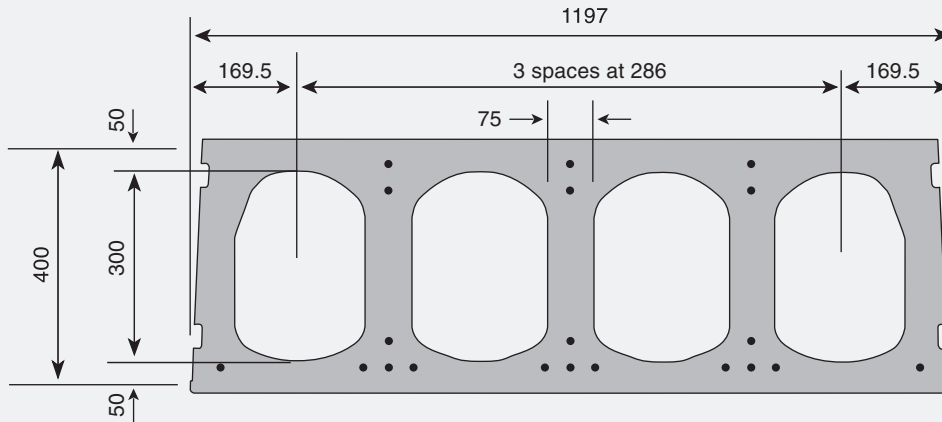


Production optimised technology for the hollowcore industry



## Description

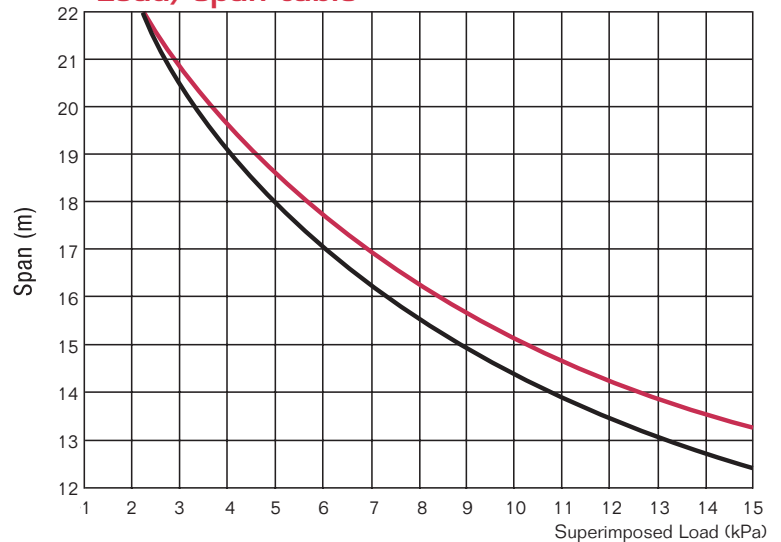
This standard Dynacore 400 serves industry demand for a structurally efficient 400 section that is easy and cost effective to extrude. Produced by our high frequency dynamic compaction extruder technology, the Dynacore 400 is dense and of superior quality.

Additionally, Dynacore Equipment can design and manufacture a custom 400 section to suit the client's needs.

## Section Properties

Weight	$w = 4.9 \text{ kN/m}^2$
Cross-sectional Area	$A = 24^6 \times 103 \text{ mm}^2$
Moment of Inertia	$I = 4832 \times 106 \text{ mm}^4$
Centroid Height	$y_b = 201 \text{ mm}$
Shear Width	$b_w = 345 \text{ mm}$

## Load/span table



Load/span tables shown are for information only. Actual load/span capabilities will depend on local codes, standards and materials.

- 50 Composite Topping
- Untopped



For information about the Dynacore Hollowcore Extrusion System visit [www.dynacore.ca](http://www.dynacore.ca)